

<THESE INSTRUCTIONS MUST BE GIVEN TO THE END USER>



B&W Trailer Hitches
1216 Hawaii Rd / PO Box 186
Humboldt, KS 66748
P:800.248.6564
F:620.869.9031

See Limited Lifetime Warranty at bwtrailerhitches.com/warranty

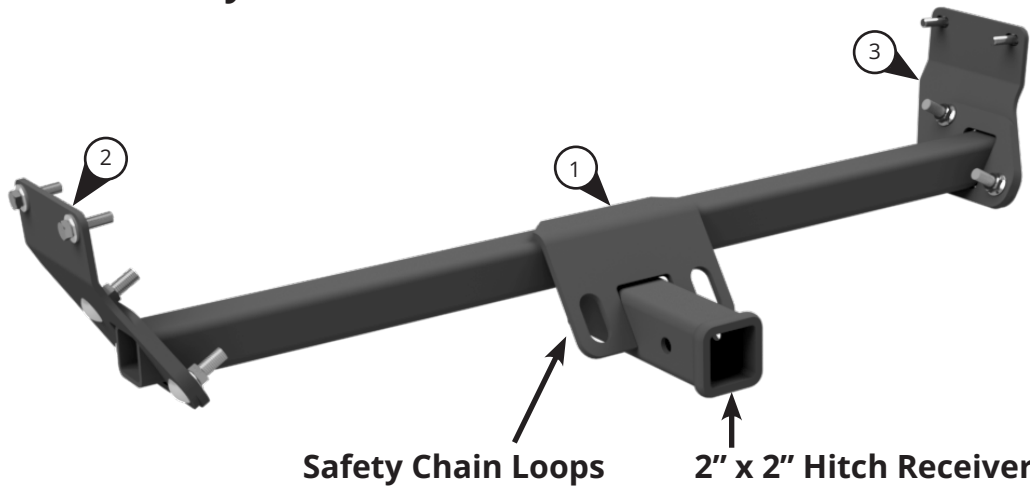
*Call or Email us for
Installation Support*
hitches@turnoverball.com
bwtrailerhitches.com

Receiver Hitch Installation Instructions

MODEL RH620222
RH620222BW

MAXIMUM TOW RATING (GTW): 4500LBS
MAXIMUM TONGUE WEIGHT (VTW): 675 LBS

2023 - 2025 Kia Sportage
2022 - 2025 Hyundai Tucson



BOX: RH620222		
#	DESCRIPTION	QTY
1	Hitch Frame	1
2	Driver Side Plate	1
3	Passenger Side Plate	1

BOLT BAG: 2110-620222-00	
DESCRIPTION	QTY
M10 x 40mm Cap Screw	4
1/2" x 1-1/4" Carriage Bolt	6
1/2" Flange Nut	6
3/8" Conical Washer	4

IMPORTANT SAFETY NOTICE FOR HITCH INSTALLERS AND CUSTOMERS.

Read all installation and operating instructions along with all labels before installing or using this product.

⚠️ WARNING

Failure to comply with the safety information in these instructions could result in serious injury or death.

- ⚠️** Do not modify this product in any manner. Doing so could alter its integrity and lead to a loss of attachment between the trailer and the tow vehicle.
- ⚠️** Adding components to the chassis of any vehicle can be hazardous. There is potential for unexpected combustion of fuel, electric shock, burns, shifting or falling of unstable vehicle, damage to vehicle, injury from tool usage and many other hazards. This installation must be completed by someone who is aware of the hazards involved. This person must be knowledgeable of proper safety procedures for a vehicle modification of this nature, and for usage of the equipment required to perform the installation.
- ⚠️** Do not exceed tow or tongue rating of coupler, tow or tongue rating of hitch, or tow or weight ratings of tow vehicle or trailer. See vehicle and trailer manufacturer information for ratings. Exceeding these ratings may cause damage to towing components or loss of attachment between the trailer and vehicle.
- ⚠️** This product was designed to fit vehicles in their original, "as manufactured" condition. Compatibility with vehicles having replacement parts, or other modifications is not guaranteed. Inspect vehicle for modifications before installation of this product.
- ⚠️** A visual inspection of the towing components should be performed before each use. Regularly check that all connections are secure, including those that secure the hitch to the vehicle. Check for cracks or damage to the hitch, tow vehicle receiver, trailer coupler and frame. Do not use the hitch if cracks or damage outside of normal wear is found. Using a hitch that has unsecure connections and/or cracks or damage could result in damage to the tow vehicle, trailer, towing components and loss of attachment between the tow vehicle and trailer.
- ⚠️** Without proper knowledge, towing can be a dangerous activity. Understand all the risks involved with towing before proceeding. For information on towing safety, see **"The Trailer Handbook: A Guide to Understanding Trailer and Towing Safety"** from the National Association of Trailer Manufacturers, www.NATM.com and your trailer and tow vehicle manufacturer's owner's manual.
- ⚠️** Always use safety chains while towing. Crossing the safety chains under the tongue of trailer may prevent some damage to the trailer if detachment occurs.

NOTE: Use the parts list on the front page to verify that all parts and hardware are present.

TOOLS REQUIRED

- 3/4", 17mm, & 14mm Sockets
- Torque wrench
- Safety glasses
- Plastic Pry Tools
- Impact wrench or ratchet
- Flashlight

PREPARE TO INSTALL



14mm SOCKET



17mm SOCKET

1. Under the rear of the vehicle, in front of the rear bumper, there is a skid plate and a passenger side cover. Both will need to be removed. Use a plastic pry tool and a socket to remove the six plastic rivets and five plastic nuts holding the skid plate and cover, as shown in Figure A1.

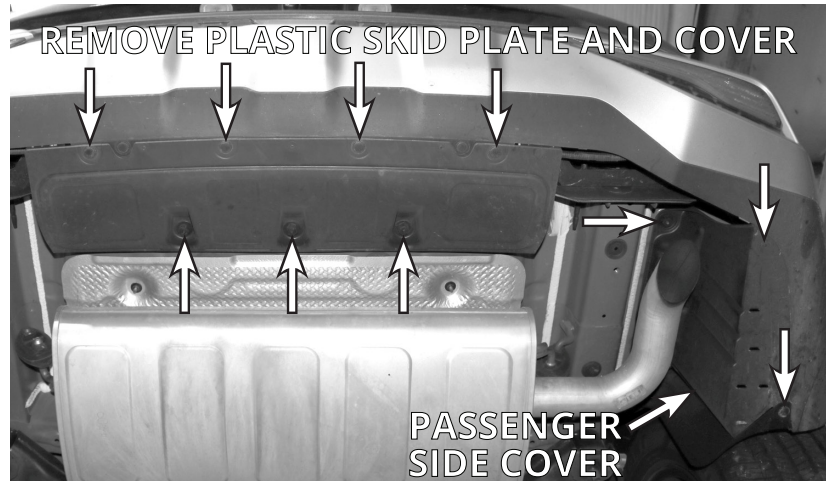


FIGURE A1: VIEW UNDER THE REAR VEHICLE BUMPER

2. Under the rear of the vehicle, locate two threaded mounting holes in the side of each chassis channel, as shown in Figure A2.
3. Using the provided M10 bolts, screw a bolt into each hole. This will help ensure that there are no obstructions in the hole. If the bolt will not easily thread into the holes, clean the threads with an M10-1.25 thread chaser.

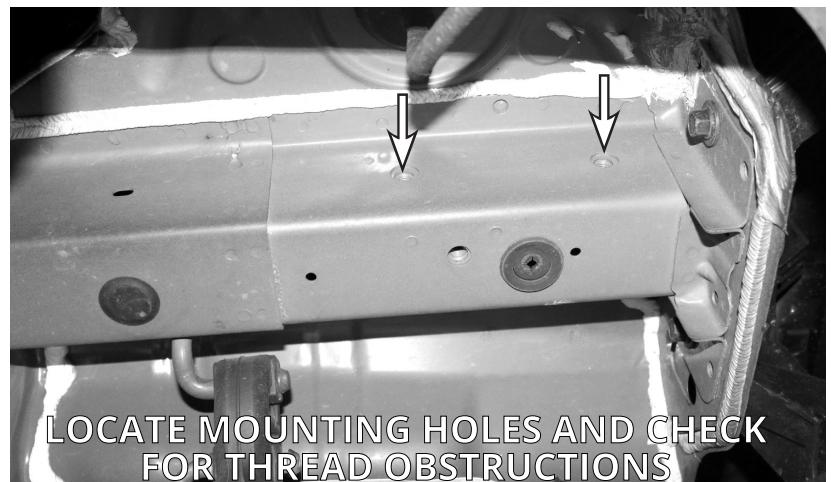


FIGURE A2: VIEW UNDER THE REAR OF THE VEHICLE

INSTALL SIDE PLATES



17mm
SOCKET

- Through the threaded mounting holes, loosely attach each side plate to the frame with two M10 cap screws and 3/8" conical washers, see Figure B1.

NOTE: Install the conical washers so the teeth are placed against the side plate.

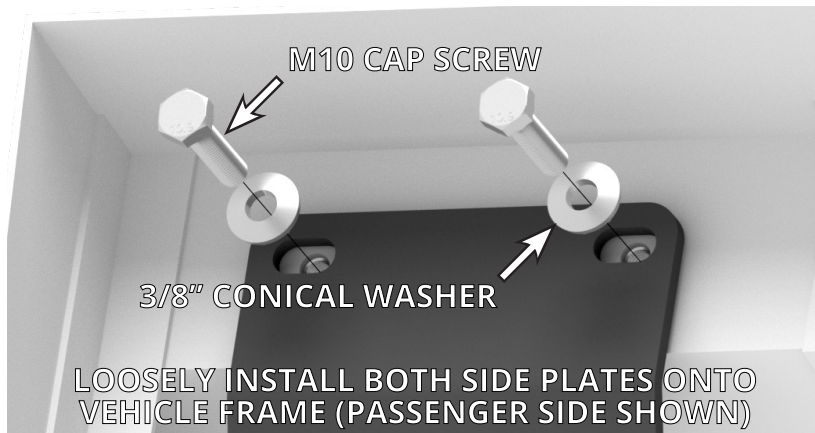
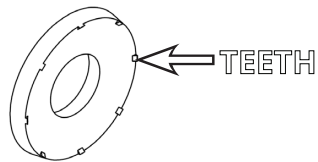


FIGURE B1: SIDE PLATE INSTALLATION

INSTALL HITCH FRAME



3/4"
SOCKET



17mm
SOCKET



TORQUE
WRENCH

- Retrieve the hitch frame. Raise the frame between the side plates, as shown in Figure B2. Attach the frame to the side plates using six 1/2" x 1-1/4" carriage bolts and 1/2" flange nuts.
- Tighten all the bolts. Torque the M10 bolts to 45 ft.-lbs. Next, torque the 1/2" bolts and nuts to 100 ft.-lbs.

NOTE: The exhaust will need to be pulled out of the way to install the carriage bolts.

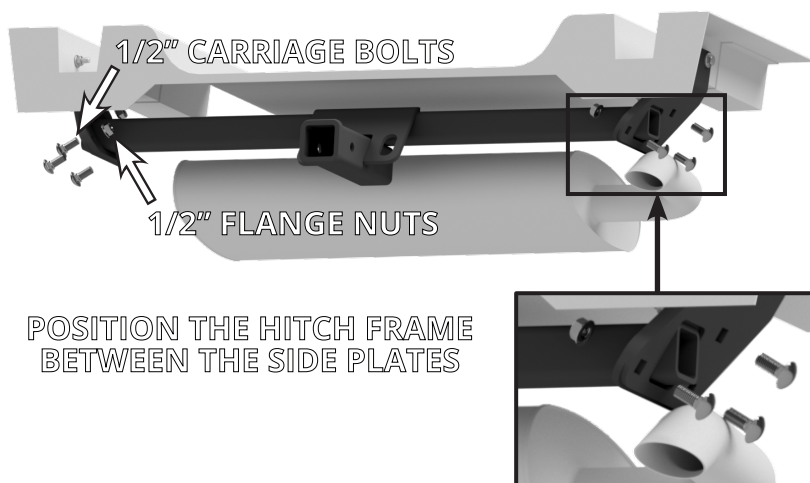


FIGURE B2: HITCH FRAME INSTALLATION



14mm
SOCKET

- Replace the passenger side cover removed in Step 1, see Figure B3. Discard the skid plate.



FIGURE B3: VIEW UNDER THE REAR VEHICLE BUMPER